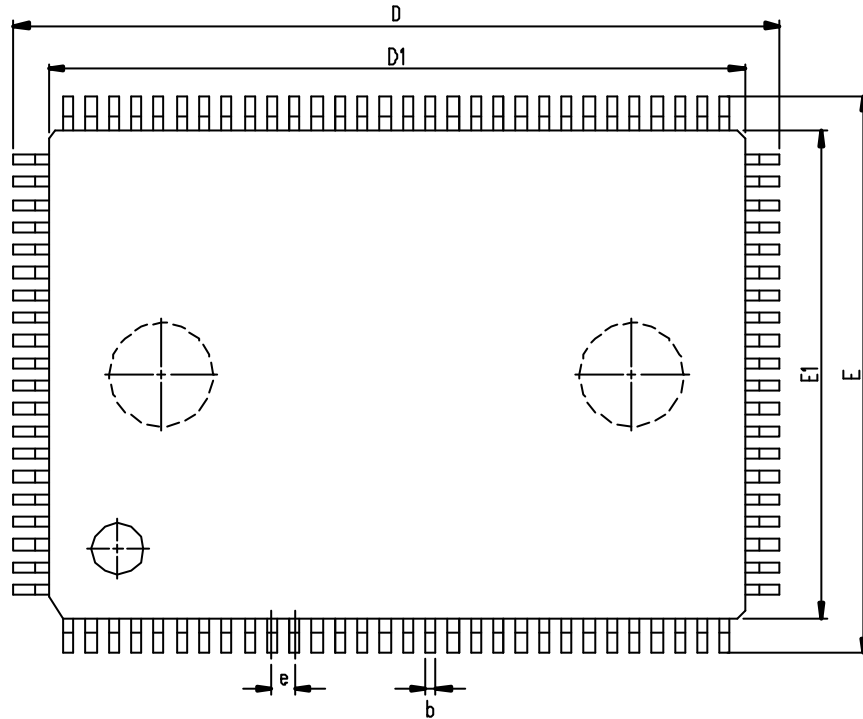
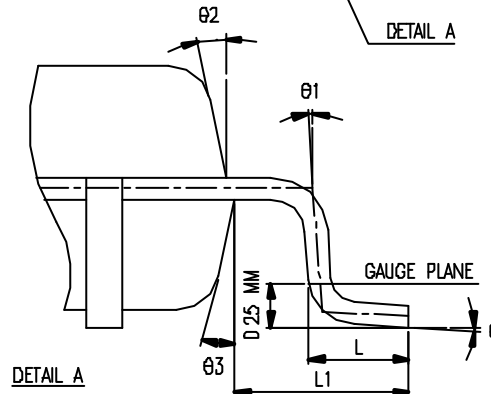
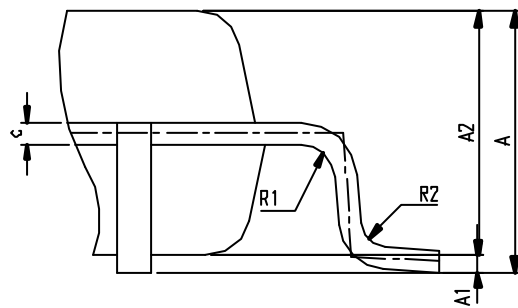
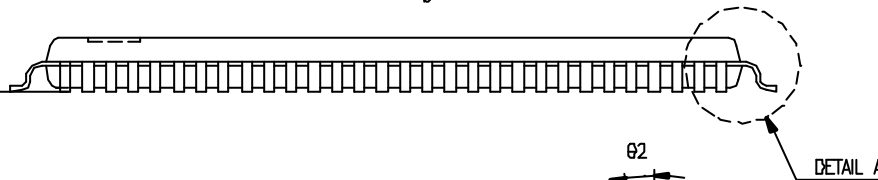


REV.	DESCRIPTION	BY	DATE
ORIG.	DRAWING ISSUE	SANDY CHEN	09.27.2002



SEATING PLANE  
 0.10MM



SYMBOL	DIMENSION IN MM			DIMENSION IN INCH		
	MIN.	NOM.	MAX.	MIN.	NOM.	MAX.
A			1.60			0.063
A1	0.05		0.15	0.002		0.006
A2	1.35	1.40	1.45	0.053	0.055	0.057
b	0.22	0.30	0.33	0.009	0.012	0.013
c	0.09		0.16	0.004		0.006
e	0.65 BSC.			0.026 BSC		
D	22.00 BSC			0.866 BSC.		
D1	20.00 BSC.			0.787 BSC.		
E	16.00 BSC.			0.630 BSC.		
E1	14.00 BSC.			0.551 BSC.		
L	0.45	0.60	0.75	0.018	0.024	0.030
L1	1.00 REF.			0.039 REF.		
R1	0.08			0.003		
R2	0.08		0.20	0.003		0.008
theta	0	3.5°	7°	0	3.5°	7°
theta 1	0			0		
theta 2	11°	12°	13°	11°	12°	13°
theta 3	11°	12°	13°	11°	12°	13°
JEDEC	MS-026 (BHA)					

\*NOTES . DIMENSIONS " D1 " AND " E1 " DO NOT INCLUDE MOLD PROTRUSION. ALLOWABLE PROTRUSION IS 0.25 mm PER SIDE. " D1 " AND " E1 " ARE MAXIMUM PLASTIC BODY SIZE DIMENSIONS INCLUDING MOLD MISMATCH.

<b>CWT Chant World Technology Inc.</b>		<input type="checkbox"/>	
TITLE LQFP 100L PACKAGE OUTLINE BODY . 14 X 20 MM		XXXXX ±0.005 XXXXX ±0.005 XXXXX ±0.005 XXX ±0.1 XX ±0.2	ANGULAR ± ROUGHNESS SCALE
DESIGNED	SANDY CHEN 09.27.2002	UNIT	QTY
CHECKED	EDGAR TU 09.27.2002	FILE NAME : P8F100P2	
APPROVED	SANDY CHEN 09.27.2002	DWG. NO.: CW-P8-016A	