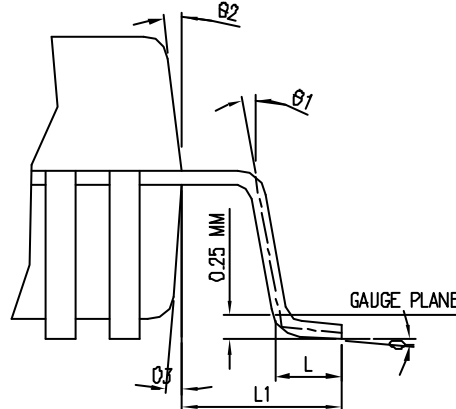
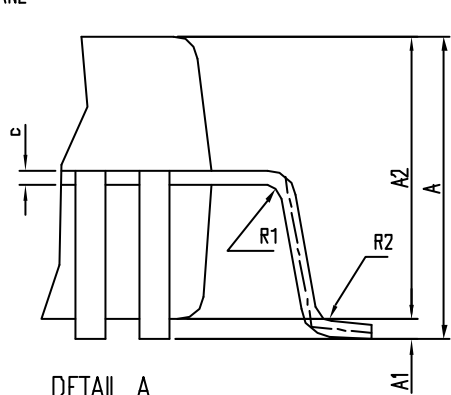
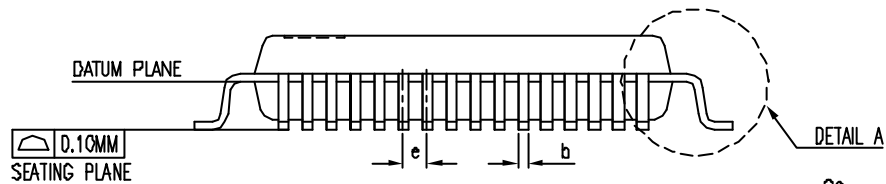
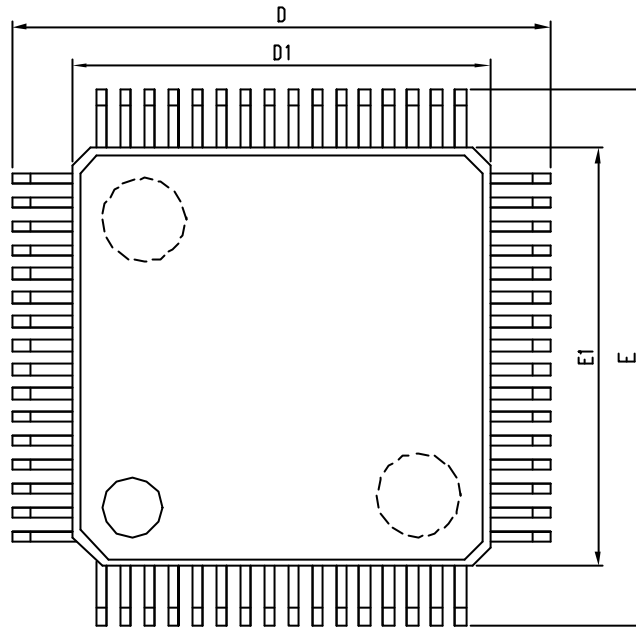


REV.	DESCRIPTION	BY	DATE
ORIG.	DRAWING ISSUE	SANDY CHEN	04.17.2006



SYMBOL	DIMENSION IN MM			DIMENSION IN INCH		
	MIN.	NOM.	MAX.	MIN.	NOM.	MAX.
A			1.60			0.063
A1	0.05		0.15	0.0019		0.0059
A2	1.35	1.40	1.45	0.053	0.055	0.057
b	0.13	0.18	0.23	0.005	0.007	0.009
c	0.09		0.20	0.0035		0.0078
e	0.40 BASIC			0.016 BASIC		
D	9.00 BASIC			0.354 BASIC		
D1	7.00 BASIC			0.276 BASIC		
E	9.00 BASIC			0.354 BASIC		
E1	7.00 BASIC			0.276 BASIC		
L	0.45	0.60	0.75	0.018	0.024	0.030
L1	1.00 REF.			0.039 REF.		
R1	0.08			0.0031		
R2	0.08		0.20	0.0031		0.0078
theta	0°	3.5°	7°	0°	3.5°	7°
theta 1	0°			0°		
theta 2	11°	12°	13°	11°	12°	13°
theta 3	11°	12°	13°	11°	12°	13°
JEDEC	MS-026 (BBD)					

\*NOTES : DIMENSIONS " D1 " AND " E1 " DO NOT INCLUDE MOLD PROTRUSION. ALLOWABLE PROTRUSION IS 0.25 mm PER SIDE.  
 " D1 " AND " E1 " ARE MAXIMUM PLASTIC BODY SIZE DIMENSIONS INCLUDING MOLD MISMATCH.

<b>CWT Chant World Technology Inc.</b>		<input type="checkbox"/>	<input checked="" type="checkbox"/>
TITLE LQFP 64L PACKAGE OUTLINE BODY SIZE : 7 X 7 MM		XX XXXX ±0.005 XXX ±0.025 XX ±0.05 XX ±0.1 XX ±0.2	ANGULAR ± ROUGHNESS SCALE
DESIGNED	JONES CHAI 04.17.2006	UNT	Q'TY
CHECKED	EDGAR TU 06.29.2006	FILE NAME : PHFO48P1	
APPROVED	SANDY CHEN 06.29.2006	DWG. NO.: CW-PH-DD3A	