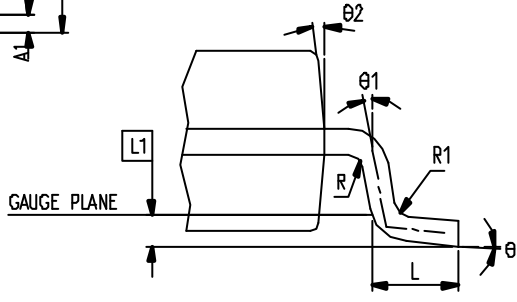


0.10MM C  
SEATING PLANE



DTEAIL A

\*NOTES · DIMENSION D DOES NOT INCLUDE MOLD PROTRUSIONS OR GATE BURRS.  
MOLD PROTRUSIONS AND GATE BURRS SHALL NOT EXCEED 0.006 INCH PER SIDE.

REV.	DESCRIPTION	BY	DATE
ORIG.	DRAWING ISSUE	SANDY CHEN	98.01.16
A.	SSO CHANGE TO QSO/SSO	SANDY CHEN	98.08.12
B.	ADD NOTES	SANDY CHEN	00.01.20
C.	DIMENSION IN MM CHANGE TO IN INCH	SANDY CHEN	01.01.15

SYMBOL	DIMENSION IN MM			DIMENSION IN INCH		
	MIN.	NOM	MAX.	MIN	NOM	MAX
A	1.35	1.63	1.75	0.053	0.064	0.069
A1	0.10	0.15	0.25	0.004	0.006	0.010
A2			1.50			0.059
b	0.20		0.30	0.008		0.012
c	0.18		0.25	0.007		0.010
e	0.635 BASIC			0.025 BASIC		
D	4.80	4.90	5.00	0.189	0.193	0.197
E	5.79	5.99	6.20	0.228	0.236	0.244
E1	3.81	3.91	3.99	0.150	0.154	0.157
L	0.41	0.635	1.27	0.016	0.025	0.050
h	0.25		0.50	0.010		0.020
L1	0.254 BASIC			0.010 BASIC		
ZD	0.229 REF			0.009 REF		
R1	0.20		0.33	0.008		0.013
R	0.20			0.008		
theta	0°		8°	0°		8°
theta1	0°			0°		
theta2	5°	10°	15°	5°	10°	15°
JEDEC	MO-137 (AB)					

<b>CWT Chant World Technology Inc.</b>		<input type="checkbox"/>	<input checked="" type="checkbox"/>
TITLE QSO/SSOP 16L PACKAGE OUTLINE BODY WIDTH · 150 MIL		XXXXX ±0.005 XX XX ±0.005 XX XX ±0.005 XX XX ±0.1	ANGULAR ± ROUGH-NESS SCALE
DESIGNED	SANDY CHEN 98.01.16	UNIT	QTY
CHECKED	SANDY CHEN 01.01.15	FILE NAME : P3F016P1	
APPROVED	C.C. CHO 01.01.15	DWG. NO.: CW-P3-002D	