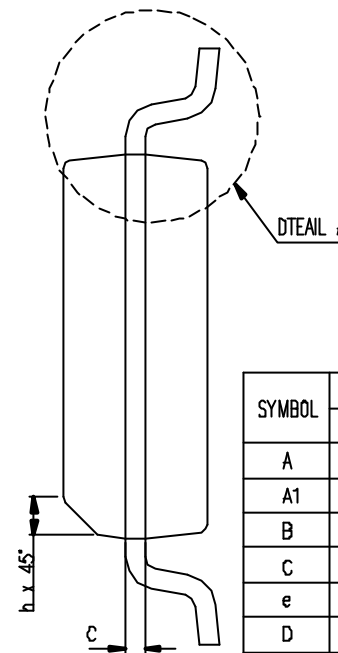
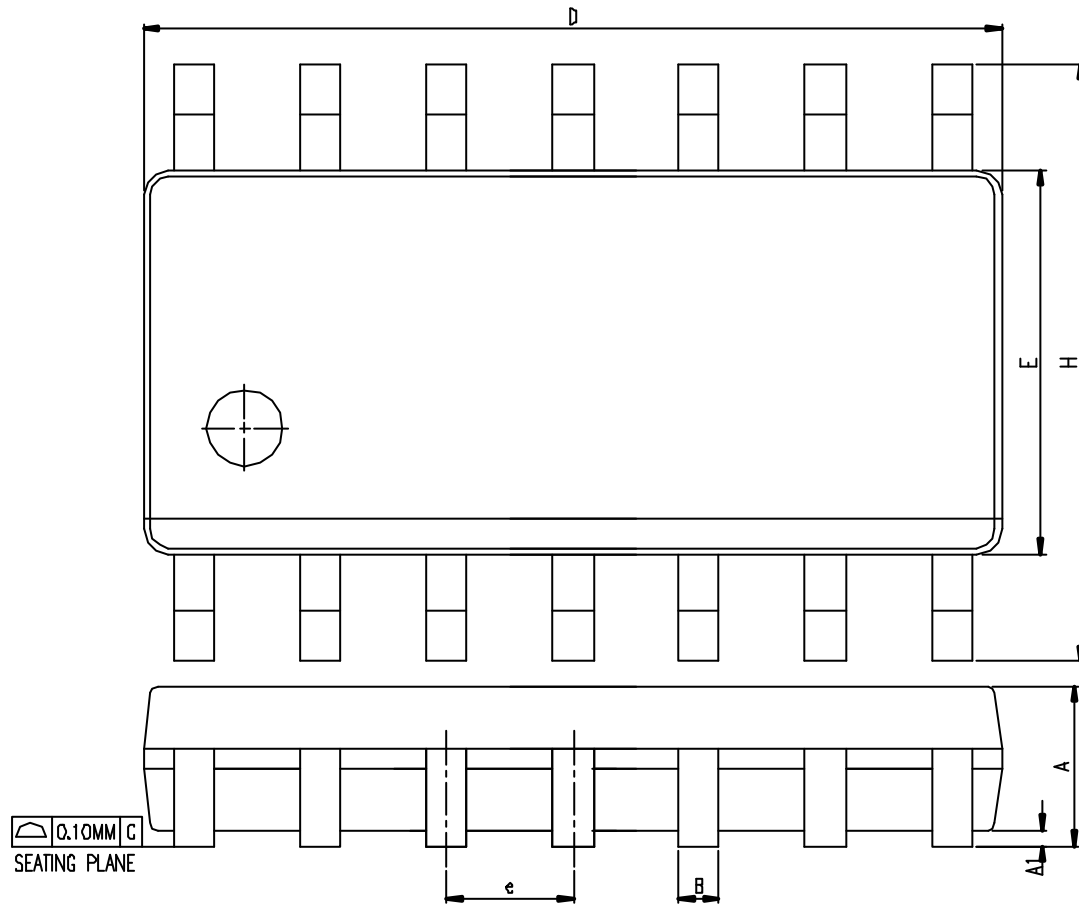
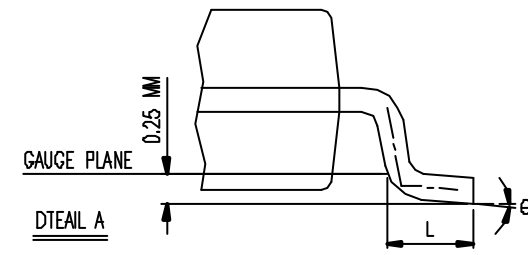


REV.	DESCRIPTION	BY	DATE
ORIG.	DRAWING ISSUE	SANDY CHEN	98.05.29
A	E AND H EXCHANGE	SANDY CHEN	98.09.14
B.	ADD NOTES	SANDY CHEN	00.01.20



SYMBOL	DIMENSION IN MM		DIMENSION IN INCH	
	MIN	MAX	MIN.	MAX
A	1.35	1.75	0.0532	0.0688
A1	D 10	0.25	0.0040	0.0098
B	D 33	D 51	0.013	0.020
C	D 19	D 25	0.0075	0.0098
e	1.27 BSC		0.050 BSC	
D	8.55	8.75	0.3367	0.3444
H	5.80	6.20	0.2284	0.2440
E	3.80	4.00	0.1497	0.1574
L	D 40	1.27	0.016	0.050
h	0.25	0.50	0.0099	0.0196
θ	0°	8°	0°	8°
JEDEC	MS-D12 (AB)			

△*NOTES : DIMENSION " D " DOES NOT INCLUDE MOLD FLASH ,
 PROTRUSIONS OR GATE BURRS.
 MOLD FLASH , PROTRUSIONS AND GATE BURRS SHALL
 NOT EXCEED 0.15 MM (0.006 INCH) PER SIDE.



CWT Chant World Technology Inc.		<input type="checkbox"/>	
TITLE SO PACKAGE OUTLINE 14L BODY 150 MIL		XXXXX ±0.005 XXXXX ±0.005 XXXXX ±0.005 XXXXX ±0.1	ANGULAR ± ROUGHNESS SCALE
DESIGNED	SANDY CHEN 98.05.29	UNIT	QTY
CHECKED	C.C. CHO 00.01.26	FILE NAME : P5F014P1	
APPROVED	C.C. CHO 00.01.26	DWG. NO.: CW-P5-004C	