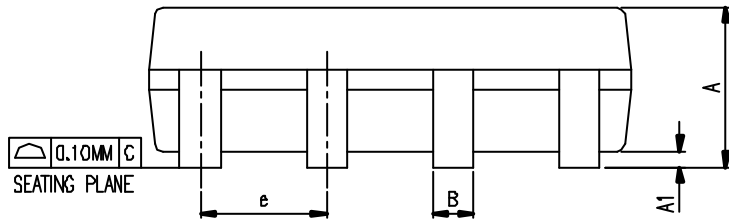
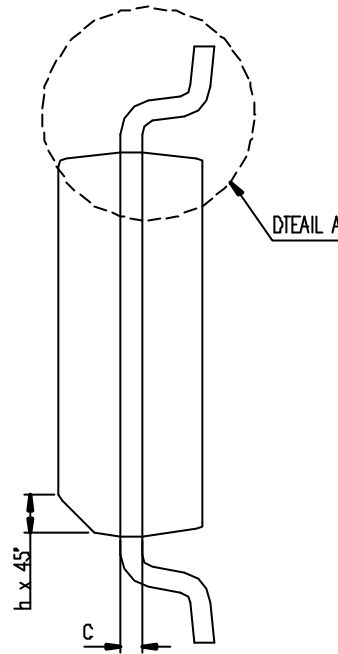
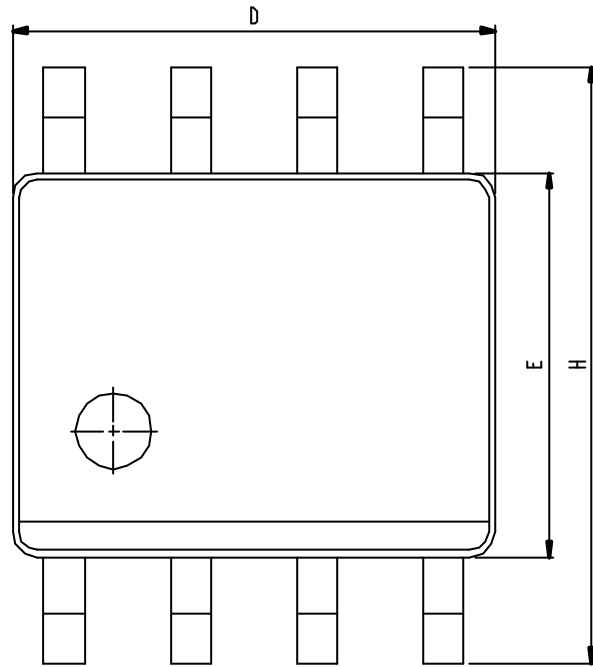
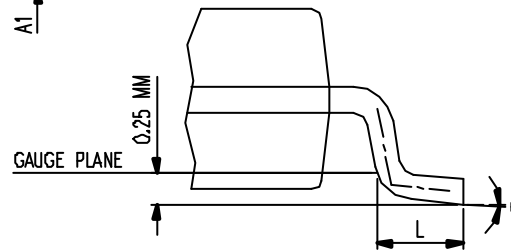


REV.	DESCRIPTION	BY	DATE
ORIG.	DRAWING ISSUE	SANDY CHEN	97.03.24
A.	ADD NOTES	SANDY CHEN	00.01.20



SYMBOL	DIMENSION IN MM		DIMENSION IN INCH	
	MIN	MAX	MIN.	MAX
A	1.35	1.75	0.0532	0.0688
A1	D 10	0.25	0.0040	0.0098
B	D 33	D 51	0.013	0.020
C	D 19	D 25	0.0075	0.0098
e	1.27 BSC		0.050 BSC	
D	4.80	5.00	0.1890	0.1968
H	5.80	6.20	0.2284	0.2440
E	3.80	4.00	0.1497	0.1574
L	D 40	1.27	0.016	0.050
h	0.25	0.50	0.0099	0.0196
θ	0°	8°	0°	8°
JEDEC	MS-D12 (AA)			

△\*NOTES . DIMENSION " D " DOES NOT INCLUDE MOLD FLASH , PROTRUSIONS OR GATE BURRS. MOLD FLASH , PROTRUSIONS AND GATE BURRS SHALL NOT EXCEED 0.15 MM ( 0.006 INCH ) PER SIDE



DETAIL A

<b>CWT</b> Chant World Technology Inc.	<input type="checkbox"/>	<input checked="" type="checkbox"/>	ANGULAR ±
	XXXXX ±0.005	XXXXX ±0.005	ROUGHNESS ✓
TITLE SO PACKAGE OUTLINE BL BODY 150 MIL	XXXX ±0.05	XXXX ±0.1	SCALE
DESIGNED SANDY CHEN 97.03.24	UNIT	QTY	
CHECKED C.C. CHO 00.01.26	FILE NAME : P5F008P1		A3
APPROVED C.C. CHO 00.01.26	DWG. NO.: CW-P5-003B		