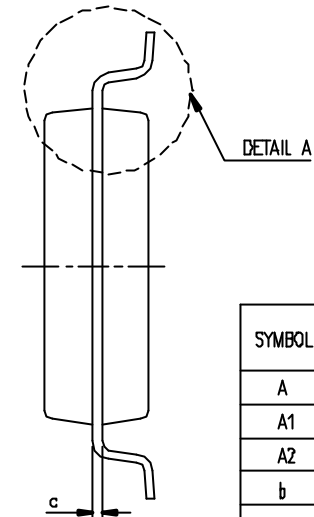
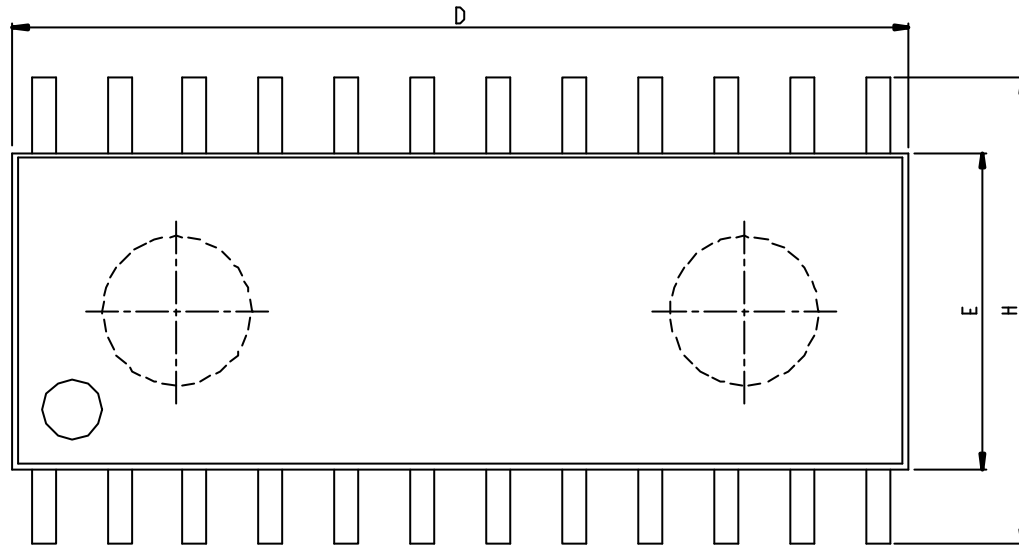
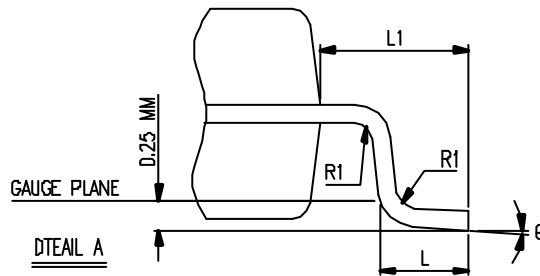
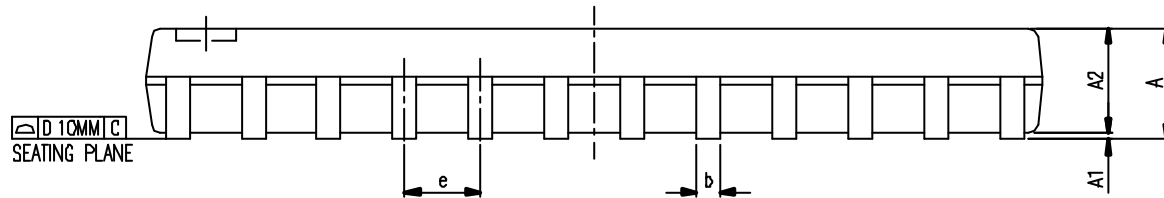


REV.	DESCRIPTION	BY	DATE
ORIG.	DRAWING ISSUE	SANDY CHEN	09.29.2003



SYMBOL	DIMENSION IN MM		DIMENSION IN INCH	
	MIN.	MAX.	MIN.	MAX.
A	1.75	2.10	0.069	0.083
A1	0.05	0.20	0.002	0.008
A2	1.70	1.90	0.067	0.075
b	0.30	0.50	0.012	0.020
c	0.10	0.20	0.004	0.008
a	1.27 BASIC		0.050 BASIC	
D	14.90	15.10	0.587	0.594
H	7.60	8.00	0.299	0.315
E	5.30	5.50	0.209	0.217
L	0.55	0.95	0.022	0.037
L1	1.25 REF.		0.049 REF.	
R1	0.09		0.004	
θ	0°	10°	0°	10°
JEDEC				



*NOTES : DIMENSIONS " D " DO NOT INCLUDE MOLD FLASH OR PROTRUSIONS, BUT DO INCLUDE MOLD MISMATCH
MOLD FLASH OR PROTRUSION SHALL NOT EXCEED 0.20 MM PER SIDE

CWT Chant World Technology Inc.		<input type="checkbox"/>	
TITLE SO PACKAGE OUTLINE 24L BODY WIDTH . 5.3 MM		XX.XXXX ±0.005 XX.XXX ±0.005 XX.X ±0.05 XX ±0.1 XX ±0.2	ANGULAR ± ROUGHNESS ✓ SCALE
DESIGNED	EDGAR TU 09.29.2003	UNIT	QTY
CHECKED	SANDY CHEN 10.29.2003	FILE NAME : P9F024P1	
APPROVED	SANDY CHEN 10.29.2003	DWG. NO.: CW-P9-003A	