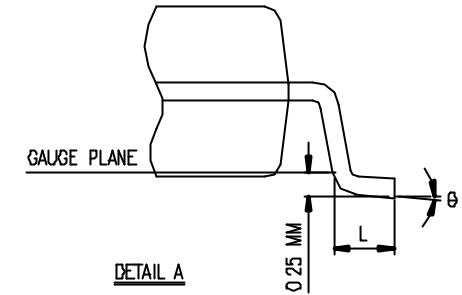
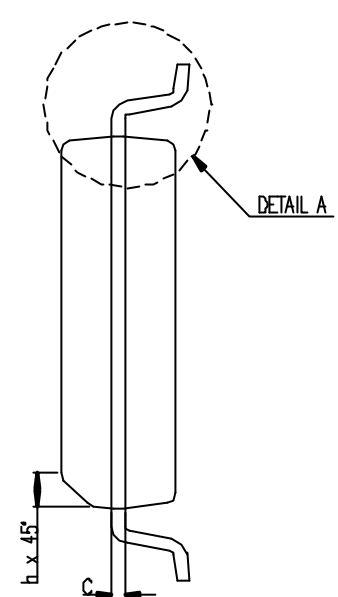
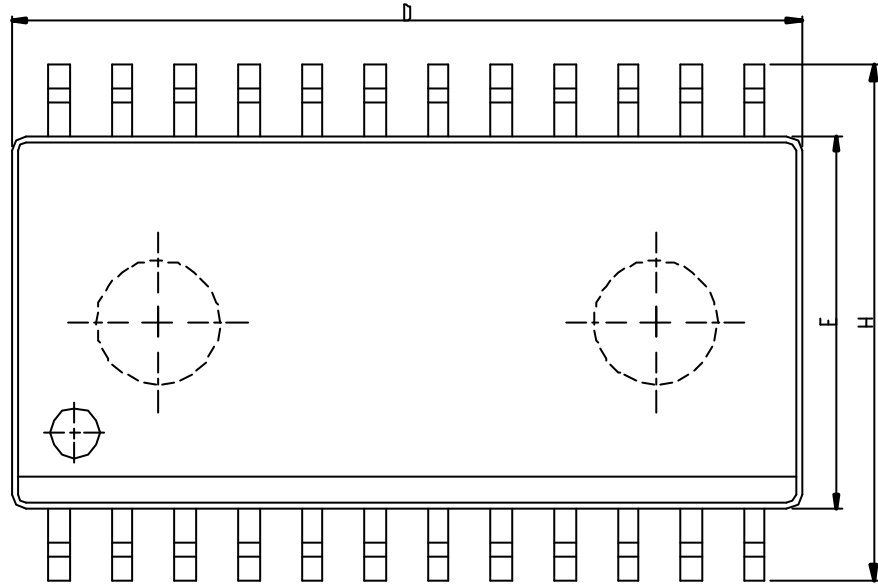
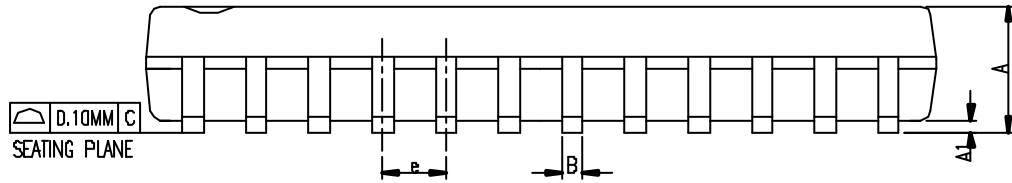


REV.	DESCRIPTION	BY	DATE
ORIG.	DRAWING ISSUE	SANDY CHEN	01.16.98
A.	ADD NOTES	SANDY CHEN	01.20.00



SYMBOL	DIMENSION IN MM		DIMENSION IN INCH	
	MIN.	MAX.	MIN.	MAX.
A	2.35	2.65	0.0926	0.1043
A1	0.10	0.30	0.0040	0.0118
B	0.33	0.51	0.013	0.020
C	0.23	0.32	0.0091	0.0125
e	1.27 BSC		D 050 BSC	
E	7.40	7.60	0.2914	0.2992
H	10.00	10.65	0.394	0.419
L	0.40	1.27	0.016	0.050
h	0.25	0.75	0.010	0.029
theta	0°	8°	0°	8°



N	D DIMENSION (IN MM)		D DIMENSION (IN INCH)		JEDEC
	MIN.	MAX.	MIN.	MAX.	
20	12.60	13.00	0.4961	0.5118	MS-013 (AC)
24	15.20	15.60	0.5985	0.6141	MS-013 (AD)
28	17.70	18.10	0.6969	0.7125	MS-013 (AE)

△*NOTES · DIMENSION " D " DOES NOT INCLUDE MOLD FLASH , PROTRUSIONS OR GATE BURRS. MOLD FLASH , PROTRUSIONS AND GATE BURRS SHALL NOT EXCEED 0.15 MM (0.006 INCH) PER SIDE

CWT Chant World Technology Inc.	<input type="checkbox"/>	<input checked="" type="checkbox"/>	ANGULAR ±
	XXXXX ±0.005	XXXXX ±0.035	ROUGHNESS
TITLE	SOP PACKAGE OUTLINE	XXXXX ±0.05	SCALE
DESIGNED	SANDY CHEN 01.16.98	XXXXX ±0.1	QTY
CHECKED	C.C. CHO 01.26.2001	XXXXX ±0.2	FILE NAME : P5F024P1
APPROVED	C.C. CHO 01.26.2001		DWG. NO.: CW-P5-001B