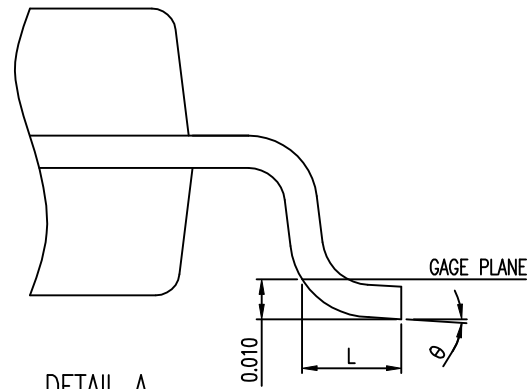
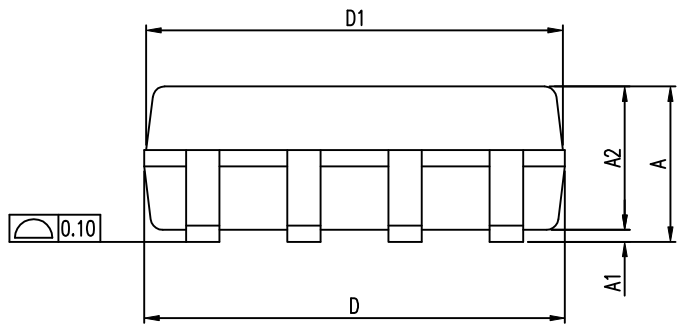
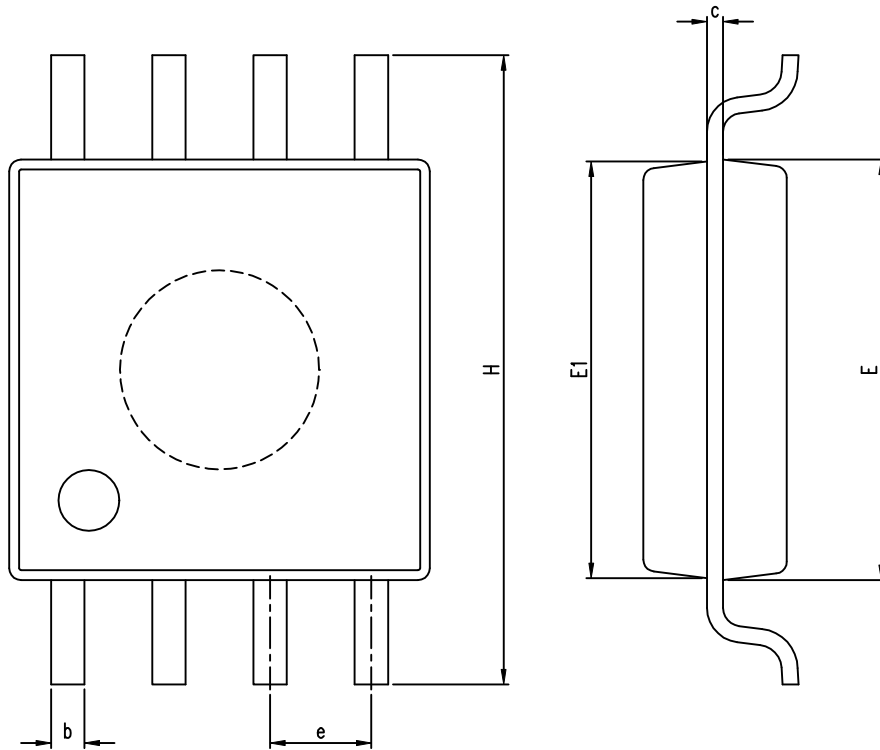


REV.	DESCRIPTION	BY	DATE
ORIG.	DRAWING ISSUE	SANDY CHEN	01.30.2007



DETAIL A

SYMBOL	DIMENSION IN MM			DIMENSION IN INCH		
	MIN.	NOM.	MAX.	MIN.	NOM.	MAX.
A	1.75	1.95	2.16	0.069	0.077	0.085
A1	0.05	0.15	0.25	0.002	0.006	0.010
A2	1.70	1.80	1.91	0.067	0.071	0.075
b	0.35	0.42	0.48	0.014	0.017	0.019
c	0.19	0.20	0.25	0.007	0.008	0.010
e	1.27 BASIC			0.050 BASIC		
D	5.18	5.28	5.38	0.204	0.208	0.212
D1	5.13	5.23	5.33	0.202	0.206	0.210
E	5.18	5.28	5.38	0.204	0.208	0.212
E1	5.13	5.23	5.33	0.202	0.206	0.210
L	0.50	0.65	0.80	0.020	0.026	0.031
H	7.70	7.90	8.10	0.303	0.311	0.319
θ	0°	—	8°	0°	—	8°
JEDEC						

* NOTE : DIMENSION D DOES NOT INCLUDE MOLD PROTRUSTIONS OR GATE BURRS.
MOLD PROTRUSTIONS AND GATE BURRS SHALL NOT EXCEED 0.006 INCH PER SIDE.

CWT Chant World Technology Inc.	<input type="checkbox"/>	<input checked="" type="checkbox"/>	ANGULAR	±
	XX XXXX ±0.005 XX XXXX ±0.035 XX XXXX ±0.05 XX.X ±0.1 XX. ±0.2		ROUGH- NESS SCALE	✓
TITLE	SO PACKAGE OUTLINE 8L BODY WIDTH : 208 MIL	UNIT	Q'TY	
DESIGNED	EDGAR TU 01.30.2007	FILE NAME :	P9F008P1	A3
CHECKED	SANDY CHEN 02.02.2007	DWG. NO.:	CW-P9-004A	
APPROVED	SANDY CHEN 02.02.2007			