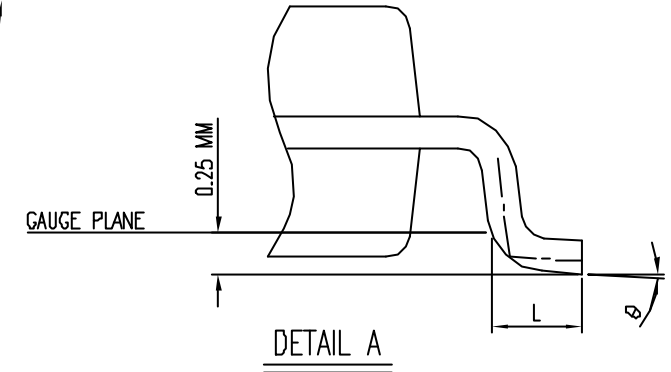
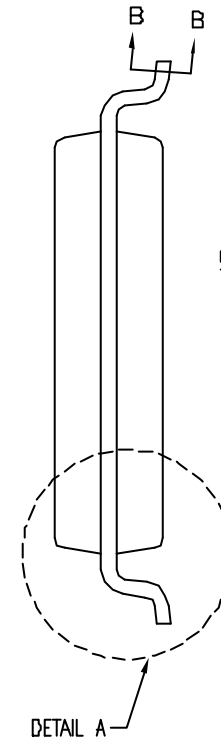
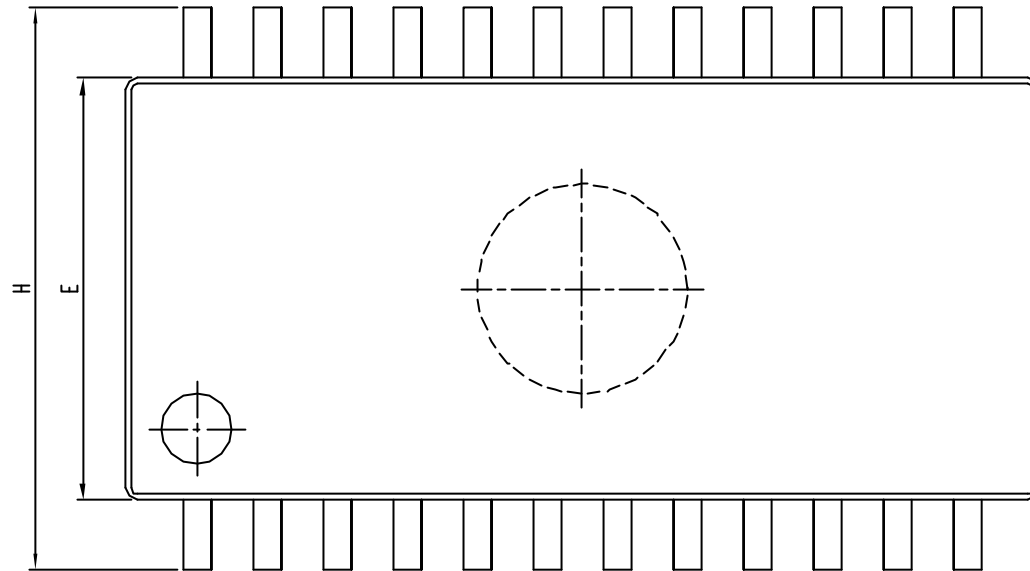
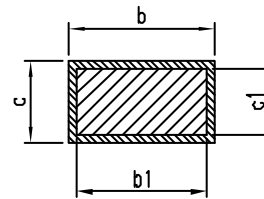
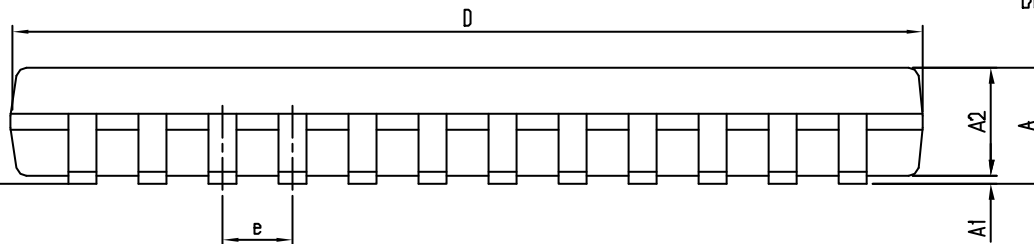


REV.	DESCRIPTION	BY	DATE
ØRIG.	DRAWING ISSUE	SANDY CHEN	12.21.2006



SYMBOL	DIMENSION IN MM			DIMENSION IN INCH		
	MIN.	NOM.	MAX.	MIN.	NOM.	MAX.
A			1.90			0.075
A1	0.05	0.10	0.15	0.002	0.004	0.006
A2	1.30	1.50	1.70	0.051	0.059	0.067
b	0.30	0.40	0.52	0.012	0.016	0.020
b1	0.30	0.40	0.50	0.012	0.016	0.020
c	0.10	0.15	0.27	0.004	0.006	0.011
c1	0.10	0.15	0.25	0.004	0.006	0.010
D	12.80	13.00	13.20	0.504	0.512	0.520
e	1.00 BSC			0.040 BSC		
E	5.80	6.00	6.20	0.228	0.236	0.244
H	7.70	8.00	8.30	0.303	0.315	0.327
L	0.25	0.45	0.65	0.010	0.018	0.026
Ø	0°		10°	0°		10°



SECTION B-B

*NOTES : DIMENSION " D " DOES NOT INCLUDE MOLD FLASH ,
PROTRUSIONS OR GATE BURRS.
MOLD FLASH , PROTRUSIONS AND GATE BURRS SHALL
NOT EXCEED 0.15 MM (0.006 INCH) PER SIDE.

CWT Chant World Technology Inc.		<input type="checkbox"/>	<input checked="" type="checkbox"/>
TITLE SOP 24L PACKAGE OUTLINE BODY WIDTH 236 MIL		XXXXXX ±0.005 XXXXXX ±0.015 XXXXXX ±0.05 XX.X ±0.1 XX. ±0.2	ANGULAR ± ROUGHNESS ✓ SCALE
DESIGNED	EDGAR TU 12.21.2006	UNIT	Q'TY
CHECKED	JONES CHAI 12.29.2006	FILE NAME : PMF024P1	
APPROVED	SANDY CHEN 12.29.2006	DWG. NO.: CW-PM-001A	